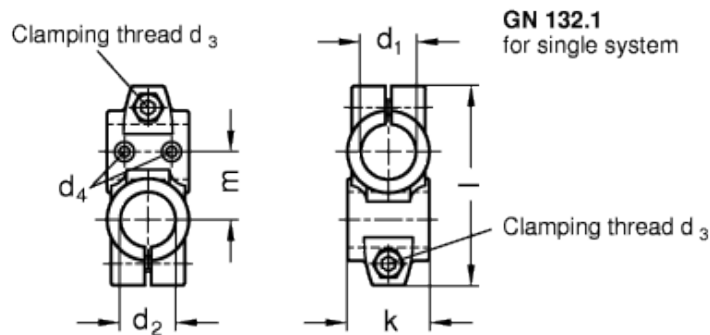
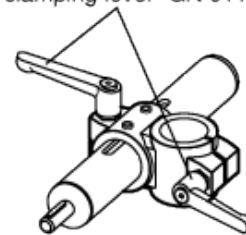


GN 132.1

Two-way connecting clamps for linear actuators



Adjustable clamping lever GN 911



technical informations

Material

Aluminium.

Finish

Version SW: RAL 9005 black colour, matte finish, epoxy resin coating.

Clamping screws

Identification no. 2: with two AISI 304 stainless steel-clamping screws DIN 912 and nuts DIN 985.

Assembly

Linear actuator connectors GN 132.1 are normally supplied only in connection with a mounted linear actuator and for function control.

By means of the clamping screw on the guide bores the movement can either be set or the slider can be clamped (after setting of final adjustment).

The standard clamping bolts are socket cap screws DIN 912, supplied assembled. They can be replaced by clamping kits GN 911 (description see table of dimensions).

Accessories

- Tubings [GN 990](#).
- Linear actuators GN 291 to 293.
- Clamping kits [GN 911](#) (clamping handles GN 300.1 with distance bushing).

Standard Elements	Main dimensions										Clamping kits	Weight
Description	d ₁ Bore without slider bush	d ₁ Bore with slider bush	d ₂ Bore without slider bush	d ₂ Bore with slider bush	d ₃	d ₄	k	l	m	For d ₃	g	
GN 132.1-B30-B30-2-SW	B 30	-	B 30	-	M 8	M 4	40	97	33	GN 911-M8-32	155	
GN 132.1-G30-B30-2-SW	-	G 30	B 30	-	M 8	M 4	40	97	33	GN 911-M8-32	155	
GN 132.1-B40-B40-2-SW	B 40	-	B 40	-	M 10	M 5	56	125	45	GN 911-M10-40	410	
GN 132.1-G40-B40-2-SW	-	G 40	B 40	-	M 10	M 5	56	125	45	GN 911-M10-40	410	
GN 132.1-B50-B50-2-SW	B 50	-	B 50	-	M 10	M 6	65	143	53	GN 911-M10-55	600	
GN 132.1-G50-B50-2-SW	-	G 50	B 50	-	M 10	M 6	65	143	53	GN 911-M10-55	600	
GN 132.1-B60-B60-2-SW	B 60	-	B 60	-	M 10	M 8	80	169	65	GN 911-M10-55	1000	
GN 132.1-G60-B60-2-SW	-	G 60	B 60	-	M 10	M 8	80	169	65	GN 911-M10-55	1000	



STANDARD MACHINE ELEMENTS WORLDWIDE